

## FP8K-DX & FP8K-DX-XLT

8,000 lb. Deluxe

Service / Storage Lifts

Introducing the New 8,000 lb. DX Storage Lifts!! The new FP8K-DX & FP8K-DX-XLT Four Post Storage Lifts come standard with Poly Casters and Drip Trays, along with a Jack / Tool Tray, making these models one of the best Service & Storage Lift values in the industry!



**Now Standard with...**  
***Poly Casters &  
Drip Trays!***

### Features

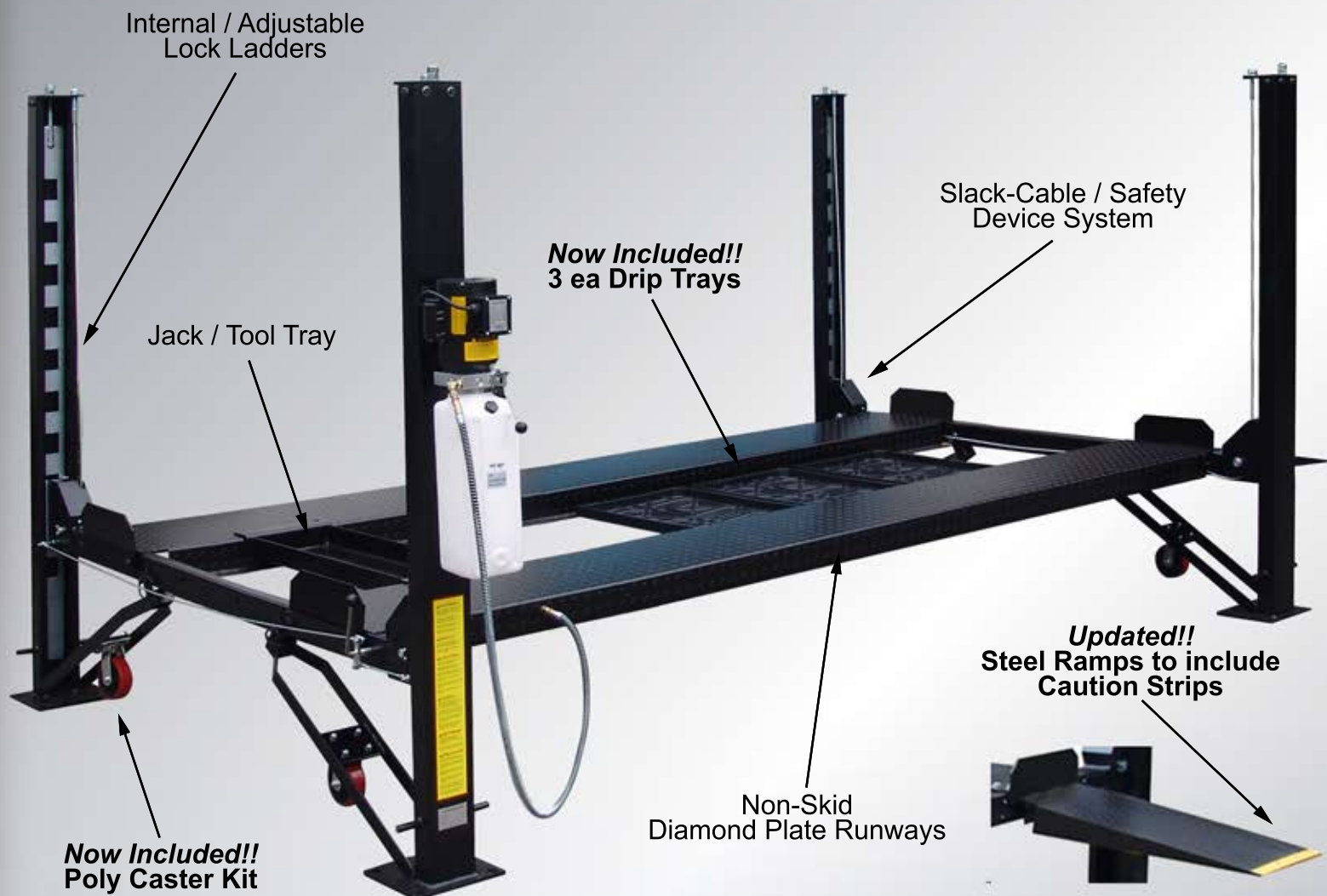
- 8,000 lbs. capacity
- High Quality Service / Storage Lifts
- Slack-Cable / Safety Device System
- Internal Lock Ladder design
- Non-Skid Diamond Plate Runways
- Adjustable Lock Ladder leveling
- Single Point, Manual Lock release
- Powder coat finish
- Steel approach ramps
- INCLUDED Poly Caster Kit
- INCLUDED 3ea Drip Trays
- INCLUDED Jack / Tool Tray

# FP8K-DX & FP8K-DX-XLT

8,000 lb. Deluxe

Service / Storage Lifts

## Updated Key Features

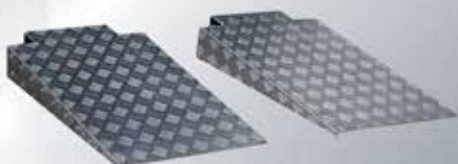


### Optional Accessories

**SJ-35**  
3,500 lbs Sliding Scissor Jack



**FP7K-4023**  
Aluminum Approach Ramps (Set of 2)



### Specifications

	<b>FP8K-DX</b>	<b>FP8K-DX-XLT</b>
• Lifting Capacity:	8,000 lbs.	8,000 lbs.
• Lifting Height:	74.8"	82.3"
• Overall Length w/ Ramps:	207.3"	225.5"
• Overall Length w/ No Ramps:	175.5"	190.7"
• Overall Width:	103.5"	109.4"
• Runway Tread Width:	18.7"	18.7"
• Runway Length:	165.5"	180.5"
• Runway Height:	4.3"	4.3"
• Column Height:	86"	94"
• Clearance between Columns:	94.4"	100.3"
• Clearance between Runways:	37.2"	42.2"
• Outside Runway to Outside Runway:	74.8"	80.7"
• Clearance Under Runways:	70"	78"
• Drive Thru Width:	80"	87.2"
• Locking Positions:	10	12
• Base Plate Size:	10" x 12"	10" x 12"
• Power:	110V-15 Amp / 1PH	110V-15 Amp / 1PH
• Ship Weight:	1,695 lbs.	1,805 lbs.